

Motorised Roman Track



Motorised Romans has never been easier.





The new Roman track system comes pre-assembled in 500mm length increments, from 1mtr wide to 5.5mtr wide and ready for quick cut-down to finished length. Lift spools and cords are already attached, providing for maximum 4mtr drop and driven by a heavy duty octagonal tube. Inside the tube, the design allows the user to install the Motolux 40mm Electronic Limit motors.

Product Benefits

- Whisper quiet operation
- Unique traversing spools ensure that the lift cords are always held in constant position, without side to side wander or tangling
- Easy and efficient installation, using standard top mount or face mount spring-brackets.
- Fabric easily fitted to front face with double sided tape and a cover plate that is easily screwed into place
- Track is designed for easy creation of a fabric valance
- Simple manufacturing- the track can be quickly cut to length, 40mm tubular motor inserted and the end caps fixed back into position.
- Fully compatible with controls used for Blindware's range of roller blind motors and motorised curtain tracks, including the new APP controlled hub.
- Available for purchase on a 'cut to measure' basis to allow manufacturers complete versatility

| PRE-ASSEMBLED MOTORISED ROMAN TRACKS | |
|--------------------------------------|--------------|
| Track Length | Part Number |
| 1.0mtr Track | 56001901-010 |
| 1.5mtr Track | 56001901-015 |
| 2.0mtr Track | 56001901-020 |
| 2.5mtr Track | 56001901-025 |
| 3.0mtr Track | 56001901-030 |
| 3.5mtr Track | 56001901-035 |
| 4.0mtr Track | 56001901-040 |
| 4.5mtr Track | 56001901-045 |
| 5.0mtr Track | 56001901-050 |
| 5.5mtr Track | 56001901-055 |

| MOTORISED ROMAN TRACK BRACKETS | |
|--|---|
| Spring Bracket, Universal Mount, gold | Spring Bracket, Top Mount, gold |
|  |  |
| Part Number: 10441000 | Part Number: 10442000 |
| Pack Qty: 250pcs | Pack Qty: 250pcs |

Motolux creates world-class motorisation products and systems, dedicated to window covering markets worldwide. Designed to enable fully integrated motorisation solutions, Motolux products are suitable for commercial or residential use. Our product range is streamlined to simplify the process of manufacturing, installation and ongoing maintenance of all major types of motorised window covering products.

| NO. OF BRACKETS FOR EACH TRACK WIDTH | |
|--------------------------------------|---------------------|
| Track Size (mm) | Qty Spring Brackets |
| 0-750 | 2 |
| 751-1500 | 3 |
| 1501-2250 | 4 |
| 2251-3000 | 5 |
| 3001-3750 | 6 |
| 3751-4500 | 7 |
| 4501-5250 | 8 |
| 5251-5500 | 9 |

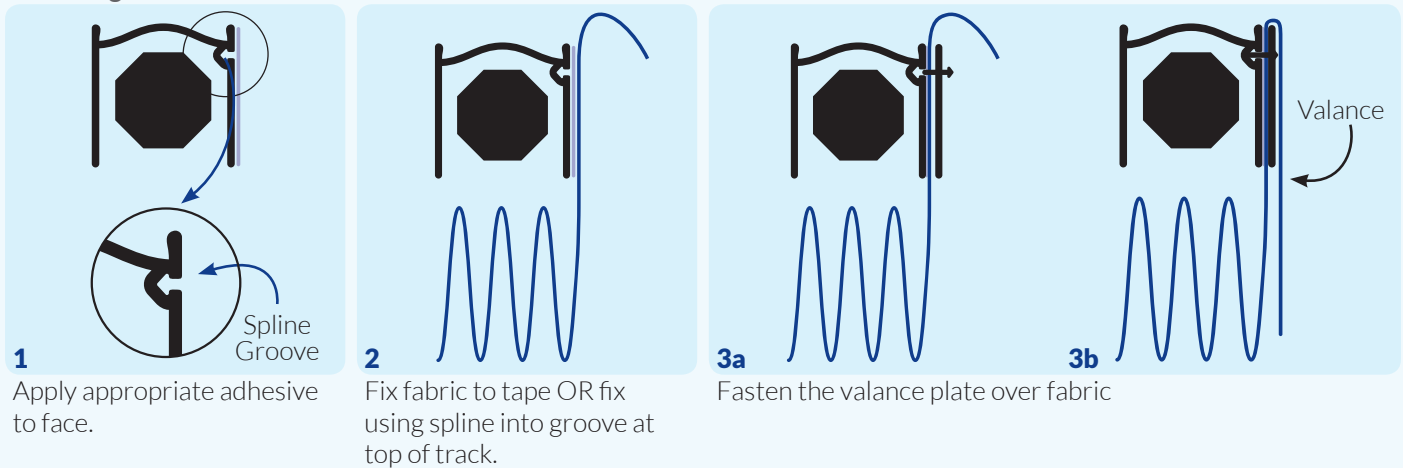
| NO. OF SPOOLS FOR EACH TRACK WIDTH | |
|------------------------------------|------------|
| Track Size (mm) | Qty Spools |
| 0-1000 | 3 |
| 1001-1500 | 4 |
| 1501-2000 | 5 |
| 2001-2500 | 6 |
| 2501-3000 | 7 |
| 3001-3500 | 8 |
| 3501-4000 | 9 |
| 4001-4500 | 10 |

Face fix brackets unless otherwise specified.

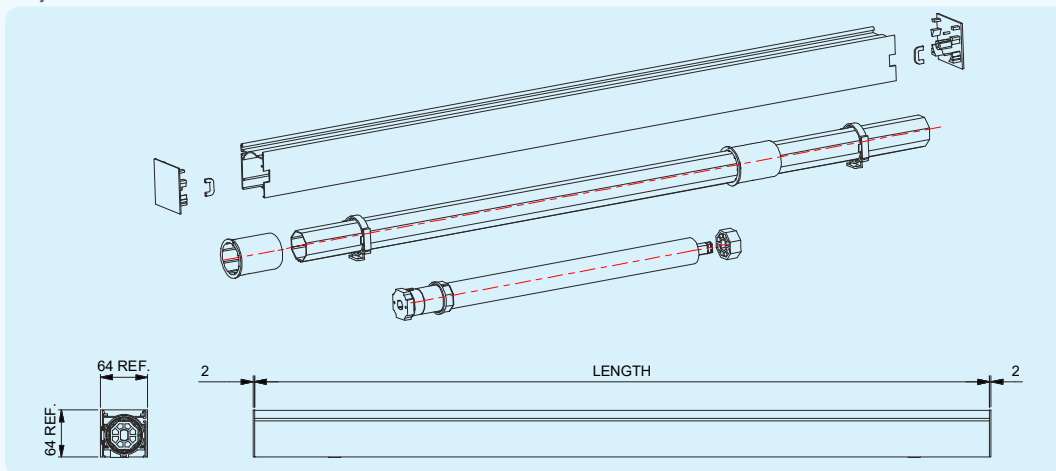
Fabric addition for fabrication: +60mm fabric to cover valance plate opening size.

First cord position (minimum spacing between spool and end cap) to ensure batton supported: 90mm.

Attaching Fabric to Blind



Key Dimensions



Motolux creates world-class motorisation products and systems, dedicated to window covering markets worldwide. Designed to enable fully integrated motorisation solutions, Motolux products are suitable for commercial or residential use. Our product range is streamlined to simplify the process of manufacturing, installation and ongoing maintenance of all major types of motorised window covering products.