

Curtain Track

5 YEAR
MANUFACTURER
WARRANTY



Product benefits:

- » Smooth, quiet and fast operation
- » User friendly
- » Auto commissioning function – sets it's own limits – simple & time saving
- » Auto open and close when the curtain fabric is drawn by hand
- » Manual over-ride when power is off – recommissions automatically when powered on again
- » Integrates on all Motolux controls, so can be used with Motolux roller, roman and cellular blind motor systems – see more information on the controls here
- » 240v power – no transformers required
- » Dry contact input for easy integration with automation systems (C-Bus, Dynalite)
- » Remote and Automation system simultaneous control possible
- » Tandem configuration possible
- » Five year manufacturer's warranty

Safety features:

- » Overload and over-temperature protection in-built

Mounting and installation:

- » Maximum curtain width 12 metres (39feet) using track joiners
- » Track is bendable to minimum radius 350mm (14") right angle bend
- » Suitable for light to heavy weight curtains up to 90kg (198lbs) fabric weight
- » Suitable for either wall mount (with installation bracket) or top fixing using butterfly clips

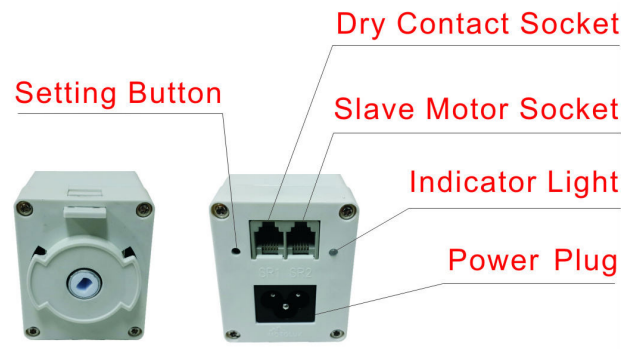
RF Features:

- » Fully electronic programming and operation
- » Radio remote control handset or fixed wall switch
- » Automation system compatible as standard, including simultaneous use of remote control
- » Easy programming with independent setting of channels and limits
- » Remote operation up to 30 metres (100feet) inside buildings and up to 100 metres (300 feet) in open areas
- » Individual or group motor control, with up to 11 channels per remote and 24channels per motor

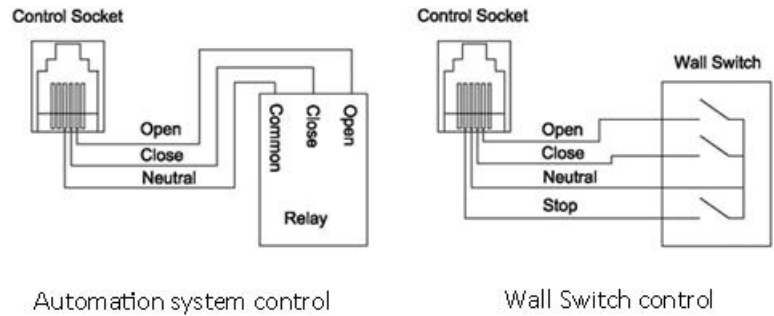
Technical Specifications:

Model	MC02-70-240/50
Voltage	240V/50Hz
Current	300mA
Power	70W
Speed	110rpm
Operating Cycle	4min continuous
Radio Frequency	433.92
Operating Distance	30 meters indoor
Max Track Length	12 meters
Tandem Motor Option	Yes
Motor Weight	1.4kg
Motor Dimensions	L50 x W60 x 295mm

Connections:



Wiring:



Ordering information
 Australia/New Zealand
 +61 (0)3 9876 0400
 sales@motolux.com.au
 www.motolux.com.au

Motolux is a world-class manufacturer of motorisation products and systems dedicated to window covering markets worldwide. A designer and manufacturer of a fully integrated range of motorisation solutions, Motolux products are suitable for commercial or residential use. Our high quality product range is streamlined to simplify the process of manufacturing, installation and ongoing maintenance of almost any type of motorised window covering product.