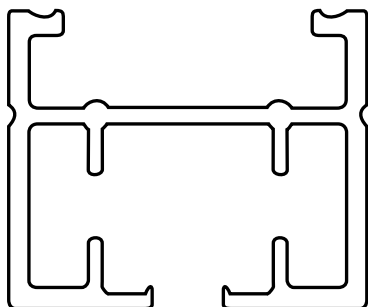


Motorised Curtain Track



Before Installing

Please ensure the number of carriers/runners match the number of hooks on the curtain.

Adding or removing carriers/runners is not possible once the track is installed.

Please check you have:

- Motor
- Brackets
- Power cable
- Remote control

The curtain track motor will emit a long beep once powered up.

Note: At any time if the receiver receives no signal within 30 seconds, it will exit the mode it is currently in.

To Pair the Motor and the Remote

1. Using a paperclip or similar, press **briefly** the programming button in the bottom of the motor to wake up the receiver and go into pairing mode. The motor will emit two beeps.
2. Within 30 seconds, select the channel required on the remote (if applicable) and press the stop (middle) button. The motor will emit two short beeps signalling that it has been paired.
3. To add extra channels, select the required channel and press the stop (middle) button.
4. To exit pairing mode, press the up and down buttons simultaneously. The motor will emit one long beep.

Note: The 'UP' button should be used as 'OPEN', and the 'DOWN' button should be used to 'CLOSE'

To Change Direction

In case the Motor Controller is set to Venetian Blind Mode you will need to:

1. Press and hold the left button on the remote for 3 seconds. The motor will emit two beeps.
2. Press the UP and DOWN button simultaneously until the motor emits a long beep signifying the direction has been changed.

To Set Limits

1. Using a paperclip or similar, press the programming button found on the back of the remote control for 3 seconds, to enter programming mode. The motor will emit two short, sharp beeps.
2. Within 30 seconds, press the down (close) button on the remote control. The master carrier will proceed until it hits a solid obstacle, i.e. the end limit or the other master carrier for a centre opening system. The motor will emit a beep signalling that the limit is set.
3. Automatically, The master carrier will proceed until it hits a solid obstacle, i.e. the end limit. The motor will emit a long beep signalling that the limits are set.

Motorised Curtain Track

To Adjust the Limits

1. Press the 'OPEN' (UP) or 'CLOSE' (DOWN) button to go to the existing fully open or fully closed limit to be adjusted.
2. Using a paperclip or similar, press and hold the programming button found on the back of the remote control. After 5 seconds you will hear 2 short sharp beeps, continue holding for a further 5 seconds to hear 2 more short sharp beeps to enter adjusting mode.
3. Press the 'STOP' (MIDDLE) button briefly. The motor will emit a beep
4. Move to the new limit.
 - a. To store a new fully open limit, press and hold the LEFT button for 5 seconds.
 - b. To store a new fully closed limit, press and hold the RIGHT button for 5 seconds.
 - c. The motor will emit a beep signalling the new limit is stored

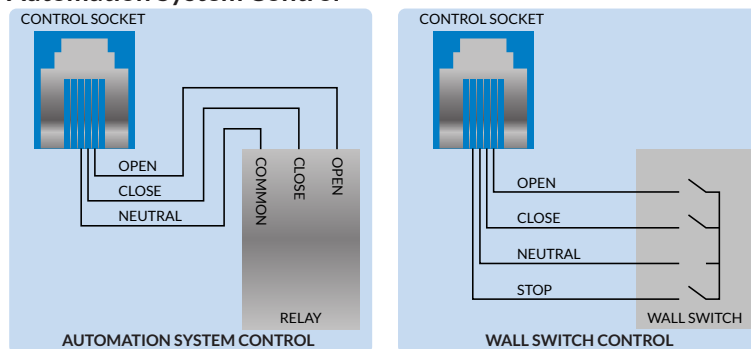
To Set an Intermediate Position

1. Press the 'OPEN' (UP) or 'CLOSE' (DOWN) button to go to the desired intermediate position
2. Using a paperclip or similar, press and hold the programming button found on the back of the remote control. After 5 seconds you will hear 2 short sharp beeps, continue holding for a further 5 seconds to hear 2 more short sharp beeps to enter adjusting mode.
3. Press the 'STOP' (MIDDLE) button briefly. The motor will emit a beep.
4. Adjust the position if required, otherwise press and hold the STOP button for 5 seconds. The motor will emit a beep signalling the intermediate position is stored.

Resetting

- **To delete the stored channels** - Press and hold the program button on the motor for approx. 5 seconds, you will hear 2 delayed beeps. After the beeps are finished, push the UP button. The motor will emit a long beep - All channels are deleted.
- **To delete limits** - Press and hold the program button on the motor for approx. 5 seconds, you will hear 2 delayed beeps. After the beeps are finished, Push the DOWN button, The motor will emit one long beep - Limits are deleted
- **To delete both limits and channels** - Press and hold the program button on the motor for approx. 5 seconds, you will hear 2 delayed beeps. After the beeps are finished push the STOP button. The motor will emit one long beep - All channels and limits will be deleted.

Automation System Control



The Motolux Curtain track motor can be easily controlled by Automation systems where required. This diagram shows the dry contact wiring required by the automation installer