

1 Channel Motor Controller with Built In Radio Receiver



Designed to integrate seamlessly with modern Building and Home Automation Systems. The Motolux Single Channel Motor Controller works with Motolux Mechanical Limit 4 Wire Motors (both parallel and non-parallel) and most other brands of 4 Wire Mechanical Limit motors.

Featuring a built in RF receiver that is compatible with all Motolux Handheld and Wall Mounted Remote Controls as well as automated app control via the UFO Smart Hub. Other control options for the Motolux Single Channel Motor Controller include: Dry Contact switching for Local control and an RS485 connection for Serial Bus networks.

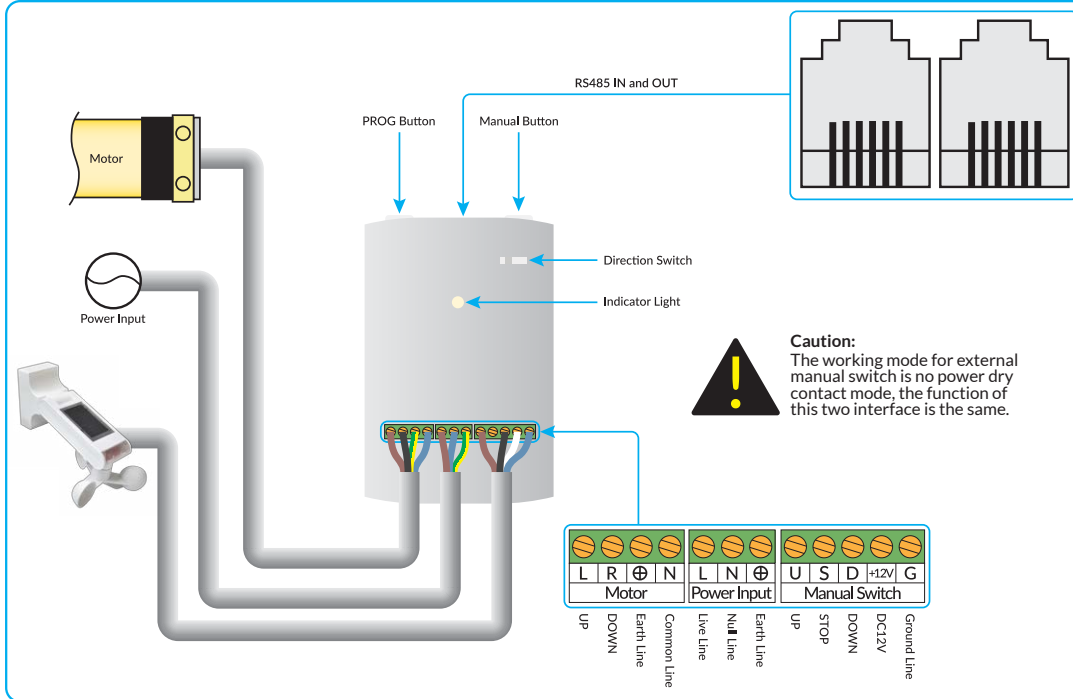
MODEL	807110000 (AC231-01)
RF Remote Control	Yes - Single Channel
Local Switching	Yes - Dry Contact
Wind/Sun Sensor Input	Yes
Wind/Sun 12V DC Output	Yes
Group Control Input/Output	No
Power	230V AC 50Hz
Rated Current	500W Max
Control Options	RF Remote Control, Dry Contact, RS485
Dry Contact Requirement	Voltage Free
UFO Hub Control	Yes
Maximum Number of Motors	1
Compatible Motors	Both Parallel and Non-parallel 4 Wire Motors
Supports Motor Direction change	Yes
DIMENSIONS	
Length	85mm
Width	35mm
Height	125mm

Motolux is a world-class manufacturer of motorisation products and systems dedicated to window covering markets worldwide. A designer and manufacturer of a fully integrated range of motorisation solutions, Motolux products are suitable for commercial or residential use. Our high quality product range is streamlined to simplify the process of manufacturing, installation and ongoing maintenance of almost any type of motorised window covering product.

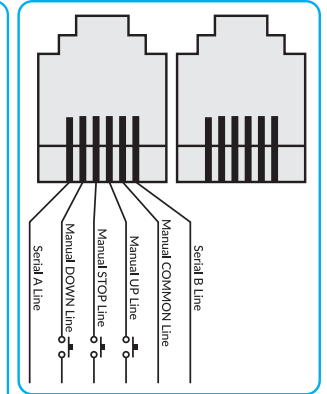
REVISION 1 - 2021

1 Channel Motor Controller with Built In Radio Receiver

Controller Wiring Diagram



Controller Diagram



AC Power Connection



Motolux is a world-class manufacturer of motorisation products and systems dedicated to window covering markets worldwide. A designer and manufacturer of a fully integrated range of motorisation solutions, Motolux products are suitable for commercial or residential use. Our high quality product range is streamlined to simplify the process of manufacturing, installation and ongoing maintenance of almost any type of motorised window covering product.

REVISION 1 - 2021

MOTOLUX

Ordering Information
Australia / New Zealand

61 (0)3 9876 0400

sales@motolux.com.au

www.motolux.com.au