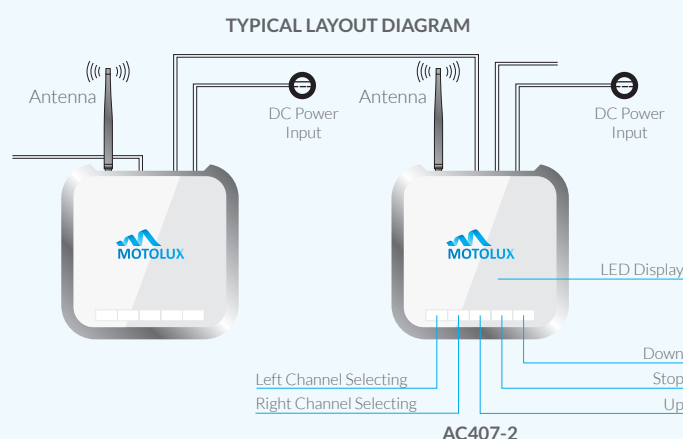
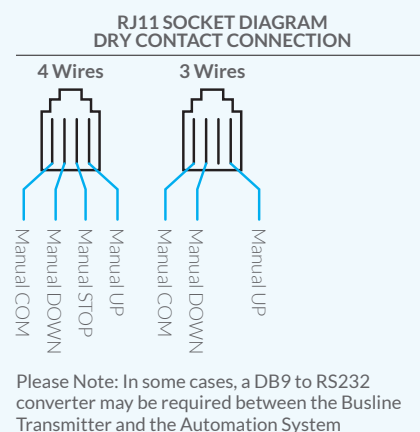
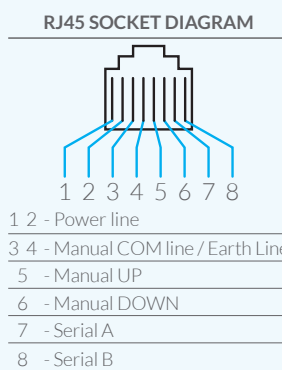


Motolux 16 Channel Busline Transmitter

Designed to integrate seamlessly with modern Building and Home Automation Systems, the Motolux 16 Channel Busline transmitter is designed to control any Motolux RF Motor including Rollers, Romans and Motolux Motorised Curtain Tracks. Featuring a built in 16 channel RF Transmitter that will connect via **RS232/RS485** Serial Connection back to a Home Automation system, such as Control 4, Dynalite or any system that has a serial interface. The unit also features a Dry Contact group control to activate all 16 channels via a hard-wired switch or alarm system.



MODEL	81710000 (AC407-01)
Local Control	Yes (with local RF remote)
Central Control Input	Yes
Group Control	Yes - via RS232/RS485 and Dry Contact
Power	12VDc via Included Adapter
Rated Current	100mA
Control Options	RF Remote, Dry Contact, RS485
Motor Options	Motolux - Roller, Roman, Curtain
RF Frequency	433.92 MHz
Number of RF Channels	16
Maximum Number of Motors	16 Individual or 16 Groups
Units Can Be Linked	Up to 255 Units
Manual Control From Unit	Yes
Transmission Range	30 Metres Indoors
Dry Contact Input	RJ11
Serial Input	RJ45
Length	
Depth	163mm
Width	140mm
Height	120mm (inc. antenna)



Motolux creates world-class motorisation products and systems, dedicated to window covering markets worldwide. Designed to enable fully integrated motorisation solutions, Motolux products are suitable for commercial or residential use. Our product range is streamlined to simplify the process of manufacturing, installation and ongoing maintenance of all major types of motorised window covering products.

REVISION 2 - 2020

MOTOLUX
Ordering Information
Australia / New Zealand
61 (0)3 9876 0400
sales@motolux.com.au
www.motolux.com.au